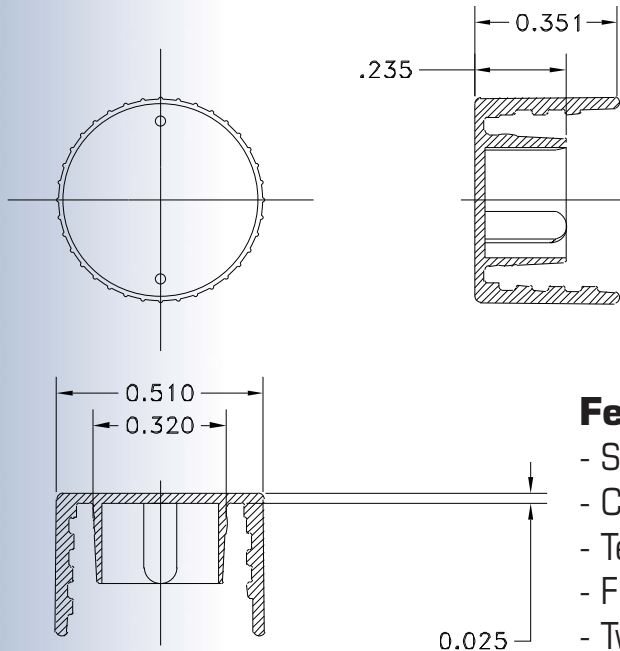


Sorenson BioScience Product Specification Sheet

Threaded TwistTop™ Vial Caps



Attributes

Material: Polypropylene
(O-ring is ethylene/propylene)
Certified RNase/DNase Free
Certified PCR Inhibitor Free
Certified Human DNA Free
Certified Pyrogen Free
Overall Height: 0.35 in.
Outside Diameter: 0.51 in.

Features & Function

- Sold separately from vials for easy color coding
- Contains ethylene/propylene O-ring to ensure seal
- Temperature range of -80°C to 121°C
- Fits our 0.65mL, 1.7mL, and 2.0mL twist top vials
- Two full turns provides strong seal
- Autoclavable

Cat

15490
15480
15410
15470
15460
15400
15510

Description

Twist top Vial Caps, Natural
Twist top Vial Caps, White
Twist top Vial Caps, Red
Twist top Vial Caps, Blue
Twist top Vial Caps, Green
Twist top Vial Caps, Yellow
Twist top Vial Caps, Rainbow Pack

Packaging

500 caps/bag; 2 bags/case
500 caps/bag; 2 bags/case
500 caps/bag; 2 bags/case
500 caps/bag; 2 bags/case
500 caps/bag; 2 bags/case
500 caps/bag; 2 bags/case
200 caps/color/bag; 5 bags/case

